



Notice of Discontinuation

Company: KYCON, Inc.
305 Digital Dr.
Morgan Hill, CA 95037
USA
408-494-0330

5/13/19

Re: **EOL**

Part number: KLDHCX-0202-AC; KLDHCX-0202-BC

The tooling for the above part numbers is worn. We will offer a last time buy through 7/31/19

We are in the process of retooling. The new part numbers will be KLDHCX-0202-AC-1 and KLDHCX-0202-BC-1. See the attached redline.

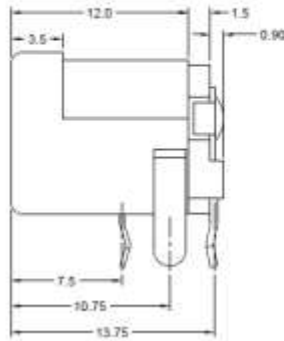
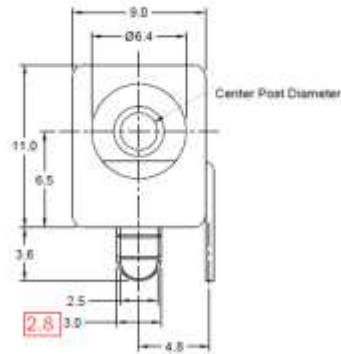
Please contact your Kycon sales representative for updated information.

Signature: 

Name: Jill Scarnecchia Phone: 408-494-0330

KYCON, Inc. 305 Digital Drive, Morgan Hill, CA 95037 (408)494-0330

vs. KLDHCX-0202-xC



Material and Finish

Insulator: PBT Thermoplastic
UL 94V-0 Rated, Black Color

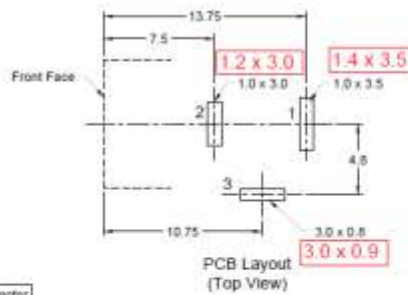
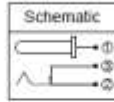
Contact Materials:
Center Pin: Copper Alloy, Nickel Plated
Contact #1: Brass, Tin Plated
Contact #2: Phos. Bronze, Tin Plated
Contact #3: Brass, Tin Plated

Electrical Specifications

Rated Current: 5A
Rated Voltage: 24V DC
Insulation Resistance:
100 Megohms Min. at 500V DC
Contact Resistance:
30 milliohms Max.
Dielectric Withstanding Voltage:
500VAC for 1 Minute

Mechanical Specifications

Insertion Force: 3.0kg Max.
Withdrawal Force: 0.3kg - 3.0kg
Durability: 5000 Mating Cycles Min.



PRELIMINARY
FIRST ISSUE
SPECIFICATION SUBJECT TO CHANGE

Part Number	Center Post Diameter
KLDHCX-0202-AC-1	Ø2.0
KLDHCX-0202-BC-1	Ø2.5

RoHS COMPLIANT



Tolerances
X.X ± 0.3
X.XX ± 0.15
Unless Stated
Otherwise

REV.	DATE	DESCRIPTION	REV. BY	CHK. BY	DRAWN BY	DATE
AS1	24/04/18	New Drawing	C. Kelleher	D. Stefan	C. Kelleher	04/04/18
AS2	26/12/18	Update PCB Layout	R. Stanton			

KLDHCX-0202-xC-1
UNITS
mm

POWER JACK, CRIMPED LEADS,
HIGH CURRENT, RoHS COMPLIANT

